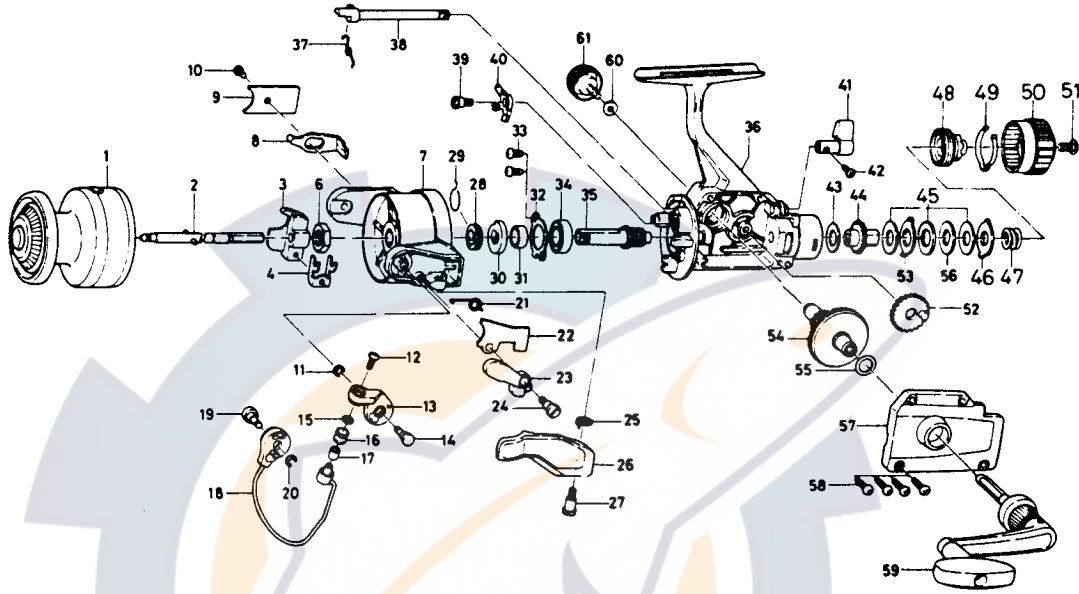


**SPINNING REEL – BW1655/2055**



| Key No. | Part No. | Part Name                    | Price |
|---------|----------|------------------------------|-------|
| 1       | K10-8503 | Spool                        | 7.50  |
| 2       | B83-9801 | Main shaft                   | 1.50  |
| 3       | E08-7801 | Oscillating slider           | .70   |
| 4       | B93-7202 | Oscillating slider retainer  | .50   |
| 6       | B10-5701 | Rotor nut                    | .65   |
| 7       | B82-1904 | Rotor                        | 5.25  |
| 8       | B83-6701 | Bail trip lever              | 1.25  |
| 9       | B76-9701 | Bail trip cover              | .50   |
| 10      | B83-4402 | Bail trip cover screw        | .50   |
| 11      | 320-5901 | Bail arm screw retainer      | .50   |
| 12      | B67-9302 | Line roller screw            | .40   |
| 13      | B67-4601 | Bail arm                     | 1.35  |
| 14      | B83-3801 | Bail arm screw               | .70   |
| 15      | B55-4301 | Line roller washer A         | .40   |
| 16      | 250-3921 | Line roller                  | .90   |
| 17      | B45-1501 | Line roller bushing          | .60   |
| 18      | K10-7702 | Bail                         | 4.10  |
| 19      | B83-4202 | Bail trip cam screw          | 1.25  |
| 20      | 320-5901 | Bail trip cam screw retainer | .50   |
| 21      | K04-9901 | Bail spring                  | .60   |
| 22      | B83-6402 | Bail spring cover            | .55   |
| 23      | B76-9301 | Trigger plate                | 1.45  |
| 24      | K03-7302 | Bail spring cover screw      | .90   |
| 25      | B67-5201 | Trigger spring               | .60   |
| 26      | B67-5107 | Trigger lever                | 2.50  |
| 27      | K03-7302 | Trigger screw                | .90   |
| 28      | B68-6401 | Spring holder                | .90   |
| 29      | 145-0902 | Anti-reverse pawl spring     | .50   |
| 30      | B67-4301 | Anti-reverse ratchet         | .80   |
| 31      | K03-1701 | Spacing sleeve               | .50   |
| 32      | B35-6301 | Bearing retainer             | .60   |
| 33      | B83-4402 | Bearing retainer screw       | .50   |
| 34      | B54-6001 | Bail bearing                 | 7.70  |
| 35      | K10-5502 | Pinion gear                  | 2.60  |
| 36      | K09-8201 | Body                         | 7.50  |

| Key No. | Part No. | Part Name                | Price |
|---------|----------|--------------------------|-------|
| 37      | 144-0321 | Anti-reverse cam spring  | .50   |
| 38      | B83-6001 | Anti-reverse cam         | .90   |
| 39      | K03-2901 | Anti-reverse pawl screw  | .75   |
| 40      | K02-3301 | Anti-reverse pawl        | .80   |
| 41      | E08-6101 | Anti-reverse lever       | 1.20  |
| 42      | B12-8201 | Anti-reverse lever screw | .50   |
| 43      | B46-9505 | Drag washer A            | .45   |
| 44      | B76-9803 | Click gear               | .70   |
| 45      | E14-3301 | Drag washer B            | .65   |
| 46      | B83-9501 | Eared washer A           | .55   |
| 47      | K02-6701 | Drag coil spring         | .80   |
| 48      | B77-0004 | Drag screw               | .95   |
| 49      | B77-0301 | Drag washer spring       | .45   |
| 50      | K05-0204 | Drag knob                | 1.80  |
| 51      | 352-1107 | Drag knob spring screw   | .55   |
| 52      | B74-3701 | Oscillating gear         | .70   |
| 53      | K05-0301 | Eared washer B           | .55   |
| 54      | K10-5601 | Drive gear               | 2.45  |
| 55      | 373-7808 | Drive gear washer        | .40   |
| 56      | E02-4401 | Key washer               | .60   |
| 57      | K05-2407 | Side cover               | 3.50  |
| 58      | B83-5002 | Side cover screw         | .60   |
| 59      | K07-5801 | Handle                   | 7.15  |
| 60      | B92-4902 | Handle lock washer       | .35   |
| 61      | B92-5001 | Handle lock screw        | .80   |

**BW2055 Special Parts:**

|    |          |                 |      |
|----|----------|-----------------|------|
| 1  | K10-8603 | Spool           | 8.00 |
| 7  | B82-2103 | Rotor           | 5.75 |
| 8  | B83-7301 | Bail trip lever | 1.30 |
| 18 | K10-7902 | Bail            | 4.50 |
| 36 | K09-8202 | Body            | 7.50 |
| 57 | K09-8402 | Side cover      | 3.50 |
| 59 | E00-2802 | Handle          | 7.00 |